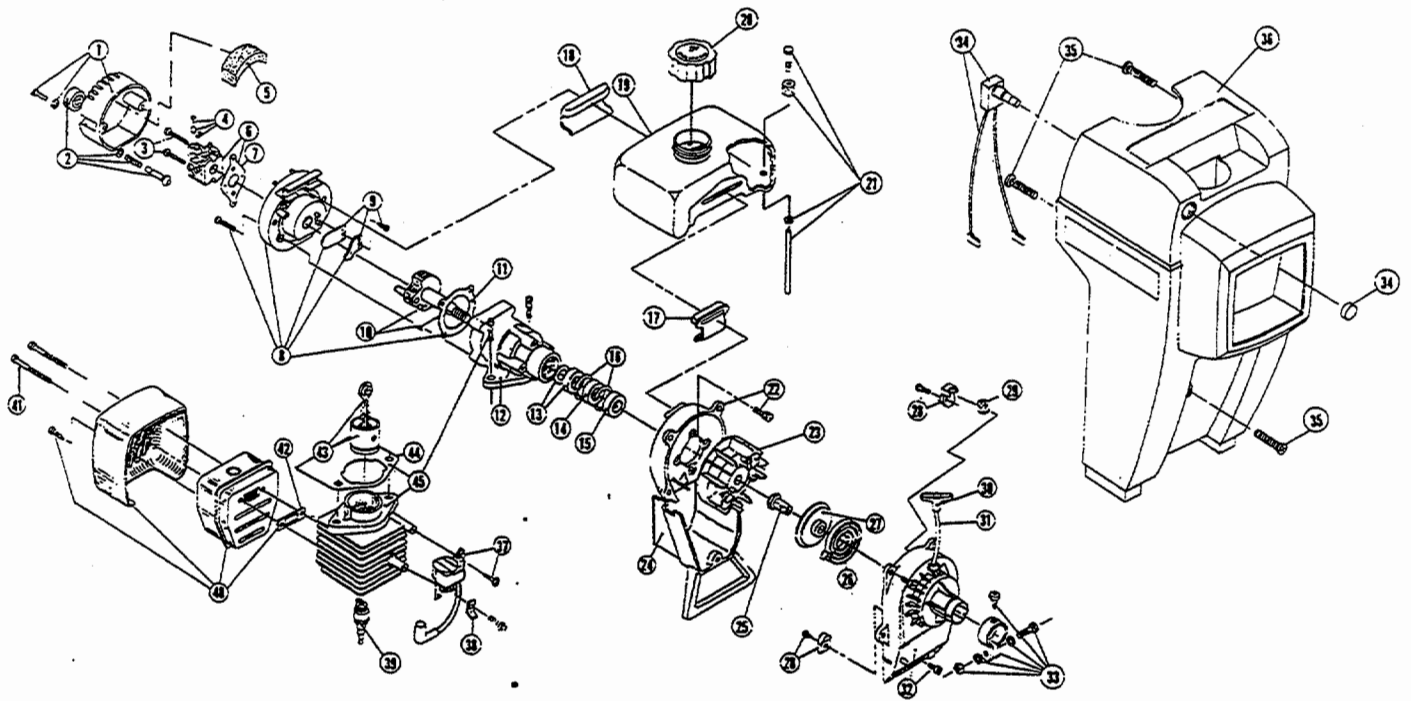


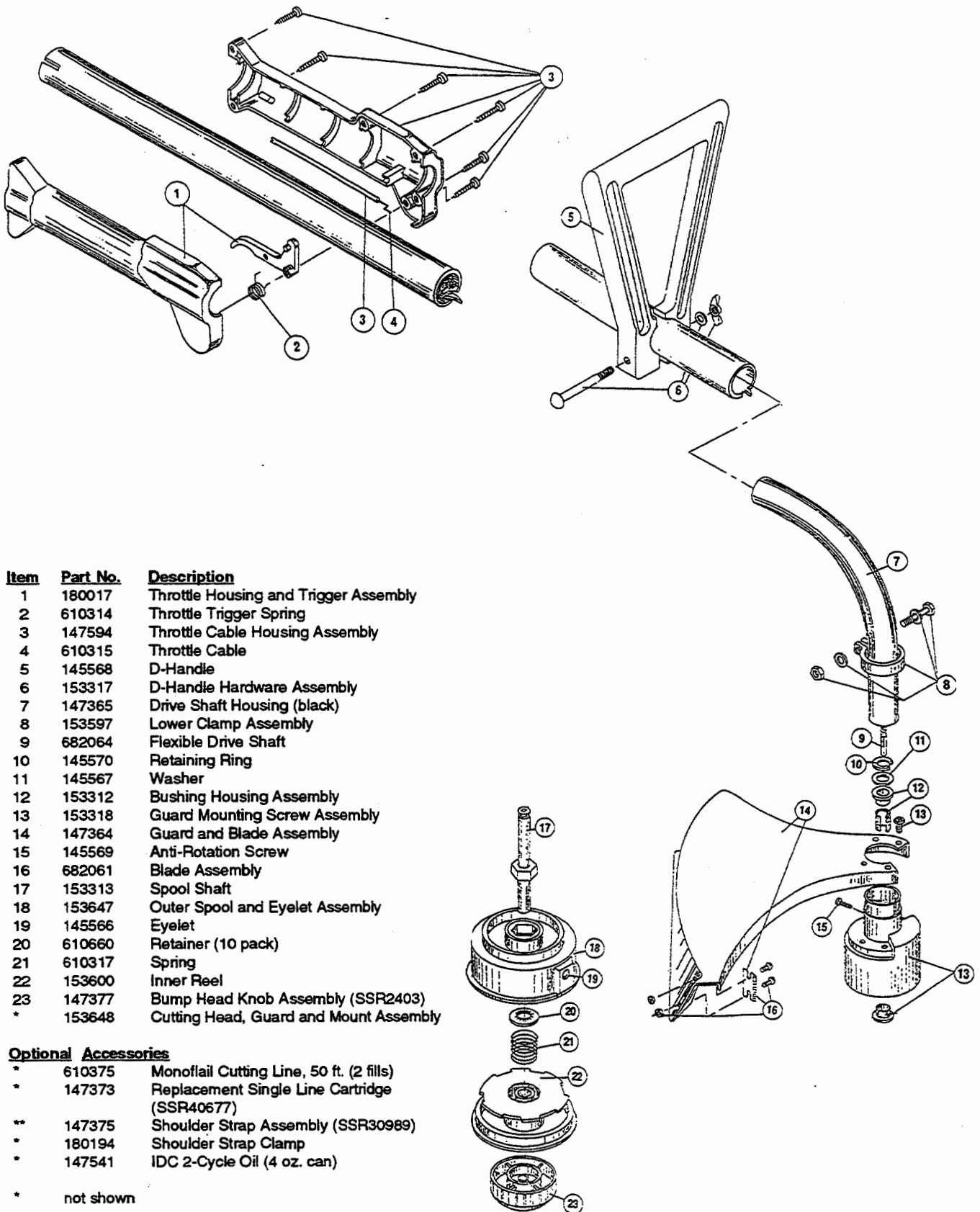
# ENGINE PARTS - SERVISTAR 365SSR



| Item | Part No. | Description                                     | Item | Part No.  | Description                                  |
|------|----------|---|------|-----------|--|
| 1    | 683414   | Air Filter Cover Assembly (includes items 2, 5) | 32   | 683064    | Starter Housing Assembly                     |
| 2    | 682052   | Choke Knob Assembly                             | 33   | 153597    | Upper Clamp Assembly                         |
| 3    | 682505   | Carburetor Mounting Screw Assembly              | 34   | 147355    | Switch and Lead Assembly                     |
| 4    | 682048   | Throttle Adjustment Assembly (Walbro)           | 35   | 147500    | Engine Screw Cover Assembly                  |
| 4    | 147648   | Throttle Adjustment Assembly (Tillotson)        | 36   | 147363    | Engine Cover Assembly                        |
| 4    | 180092   | Throttle Adjustment Assembly (Zama)             | 37   | 683390    | Module Assembly                              |
| 5    | 610312   | Air Cleaner Filter                              | 38   | 611063    | Ground Tab                                   |
| 6    | 180004   | Carburetor Assembly                             | 39   | 610311    | Spark Plug                                   |
| 7    | 610675   | Carburetor Gasket (10 pack)                     | 40   | 180119    | Muffler Assembly                             |
| 8    | 180007   | Carburetor Mount Assembly                       | 41   | 147575    | Muffler Mounting Bolt Assembly               |
| 9    | 147573   | Reed Assembly                                   | 42   | 610672    | Exhaust Gasket (10 pack)                     |
| 10   | 180002   | Power Shaft Assembly                            | 43   | 180001    | Piston and Rod Assembly                      |
| 11   | 612115   | Carburetor Mount Gasket                         | 44   | 145564    | Cylinder Gasket (10 pack)                    |
| 12   | 147015   | Crankcase                                       | 45   | 147598    | Cylinder Assembly                            |
| 13   | 682041   | Inner Bearing Assembly                          | *    | 180012    | Engine Hardware Kit                          |
| 14   | 610309   | Seal  | *    | 180011    | Engine Gasket Kit                            |
| 15   | 610308   | Outer Bearing                                   | *    | 153308    | O.E.M. Carburetor Repair Kit (Walbro)        |
| 16   | 682040   | Snap Ring Assembly                              | *    | 147170    | O.E.M. Carburetor Repair Kit (Tillotson)     |
| 17   | 145308   | Front Mounting Pad                              | **   | 180090    | O.E.M. Carburetor Repair Kit (Zama)          |
| 18   | 612134   | Rear Mounting Pad                               | *    | 153309    | Gasket-Diaphragm Repair Kit (Walbro)         |
| 19   | 180044   | Fuel Tank (includes items 20 and 21)            | *    | 147171    | Gasket-Diaphragm Repair Kit (Tillotson)      |
| 20   | 180000   | Fuel Cap Assembly                               | *    | 180091    | Gasket-Diaphragm Repair Kit (Zama)           |
| 21   | 682039   | Fuel Line Assembly                              | *    | 180013    | Piston Ring                                  |
| 22   | 683065   | Shroud Assembly                                 | *    | 180010    | Short Block Assembly                         |
| 23   | 153624   | Flywheel Assembly                               |      |           | (items 10, 12-16, 39, 43, 45)                |
| 24   | 683078   | Shroud Extension and Stand                      | *    | 180009    | Crankcase Service Assembly (items 10, 12-16) |
| 25   | 610303   | Square Drive Nut                                | Sq   | 610676    | Flywheel Key (10 pack)                       |
| 26   | 613102   | Recoil Spring                                   | *    | 147544    | Starter Housing Screw Assembly               |
| 27   | 683856   | Recoil Pulley Assembly                          |      |           |  |
| 28   | 682546   | Pulley Retainer Assembly                        | *    | not shown |  |
| 29   | 611061   | Rope Guide                                      |      |           |  |
| 30   | 610300   | Pull Handle                                     |      |           |  |
| 31   | 613103   | Rope  |      |           |  |

The above part numbers are for serial numbers 101052251 thru 201043444.

# BOOM & TRIMMER PARTS - SERVISTAR 365SSR



| Item | Part No. | Description                            |
|------|----------|--|
| 1    | 180017   | Throttle Housing and Trigger Assembly  |
| 2    | 610314   | Throttle Trigger Spring                |
| 3    | 147594   | Throttle Cable Housing Assembly        |
| 4    | 610315   | Throttle Cable                         |
| 5    | 145568   | D-Handle                               |
| 6    | 153317   | D-Handle Hardware Assembly             |
| 7    | 147365   | Drive Shaft Housing (black)            |
| 8    | 153597   | Lower Clamp Assembly                   |
| 9    | 682064   | Flexible Drive Shaft                   |
| 10   | 145570   | Retaining Ring                         |
| 11   | 145567   | Washer                                 |
| 12   | 153312   | Bushing Housing Assembly               |
| 13   | 153318   | Guard Mounting Screw Assembly          |
| 14   | 147364   | Guard and Blade Assembly               |
| 15   | 145569   | Anti-Rotation Screw                    |
| 16   | 682061   | Blade Assembly                         |
| 17   | 153313   | Spool Shaft                            |
| 18   | 153647   | Outer Spool and Eyelet Assembly        |
| 19   | 145566   | Eyelet                                 |
| 20   | 610660   | Retainer (10 pack)                     |
| 21   | 610317   | Spring                                 |
| 22   | 153600   | Inner Reel                             |
| 23   | 147377   | Bump Head Knob Assembly (SSR2403)      |
| *    | 153648   | Cutting Head, Guard and Mount Assembly |

## Optional Accessories

|    |        |  |
|----|--------|--|
| *  | 610375 | Monofilament Cutting Line, 50 ft. (2 fills)  |
| *  | 147373 | Replacement Single Line Cartridge (SSR40677) |
| ** | 147375 | Shoulder Strap Assembly (SSR30989)           |
| *  | 180194 | Shoulder Strap Clamp                         |
| *  | 147541 | IDC 2-Cycle Oil (4 oz. can)                  |

\* not shown

\*\* Requires P/N 180194 Shoulder Strap Clamp